

Flat Top Pontoon

'PROPHECY'



Prophecy

Priority is a double swim-ended, rectangular, flat top deck cargo pontoon. It has two 15m spudlegs for precise position holding and a shallow draft of 0.6m. Suitable for working close to shore and with an excellent deck load capacity & perfect for bulk cargo, heavy plant or a platform for marine construction sites or for additional onsite storage.

DIMENSIONS

Length:	34.8m
Beam:	10.0m
Depth:	2.50m
Draft (Light):	0.60m
Loaded	1.96m

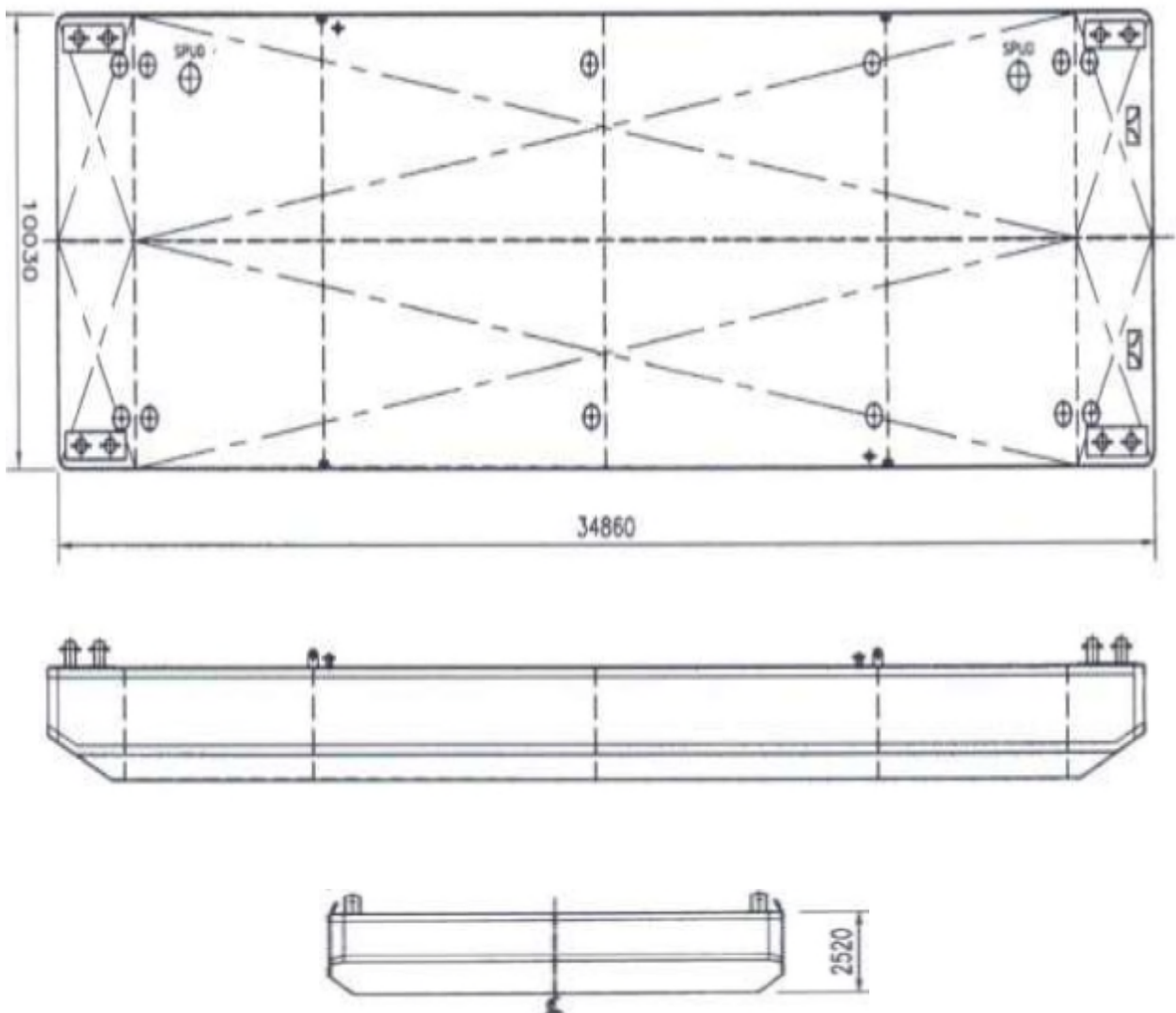
CLASSIFICATION

MCA International Loadline Certificate

STANDARD OUTFITTINGS

- 4 X Double Bollards
- 4 X Single Bollards
- 2 x 650mm x 15m Spud Legs
- 10 x Manholes Flush Mounted
- 10 x Tank Compartments
- Guardrails & Safety Chains





www.mstworkboats.co.uk

MST
MARINE SUPPORT THAMES

Marine Support Thames (M S T) Ltd

07973 820018

Email: craig@mstworkboats.co.uk